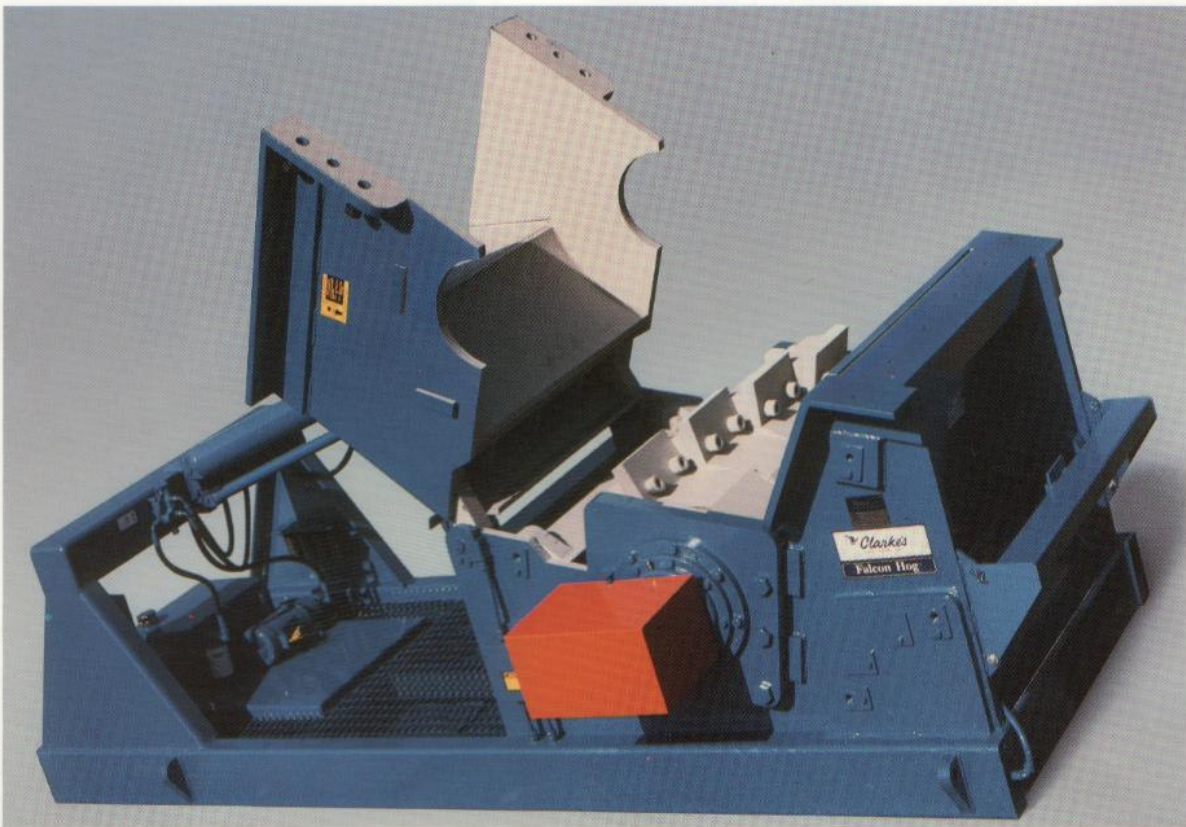




# Falcon Hog<sup>TM</sup>



**Waste Wood Processor**

## PORTABLE UNIT - TRAVEL MODE



### EXPECT LONG LIFE AND LOW MAINTENANCE

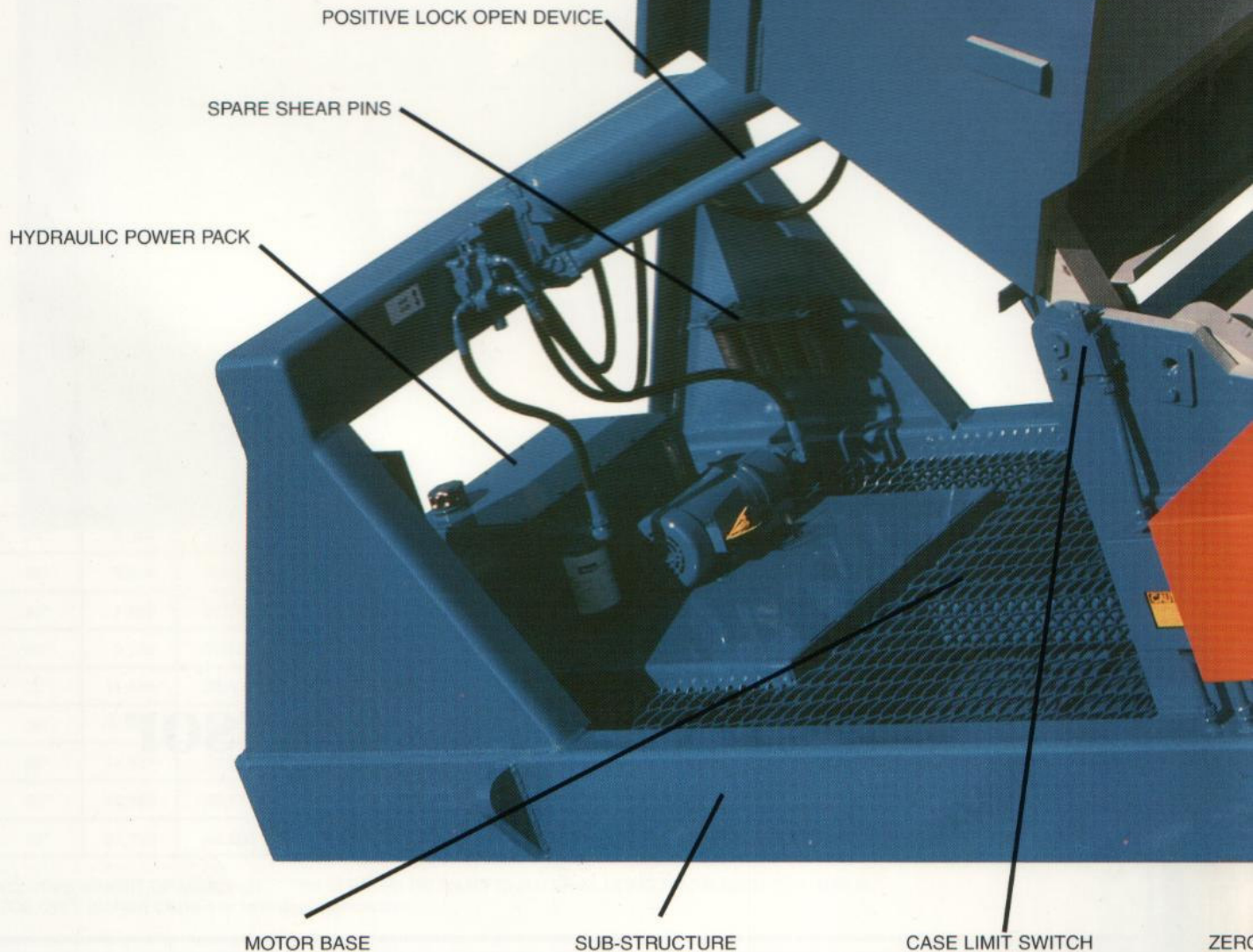
The Falcon Hog is designed for continuous operation, low maintenance and long life. Fabrication is heavy duty throughout. Shafts and bearings are large. Cutter bars are interchangeable and rebuildable.

The rotor configuration reduces side loading of bearings. Abrasion areas are fitted with replaceable liner plates. Exterior shear pins and hydraulic opening package help make necessary maintenance functions safe, fast, easy to access and perform.

### CONTACT US FOR MORE INFORMATION.

Just call us for more information about the Falcon Hog or any of our other products. We'll answer questions, quote prices, do whatever you need. That's why we are here.

Phone 541-343-3395



POSITIVE LOCK OPEN DEVICE

SPARE SHEAR PINS

HYDRAULIC POWER PACK

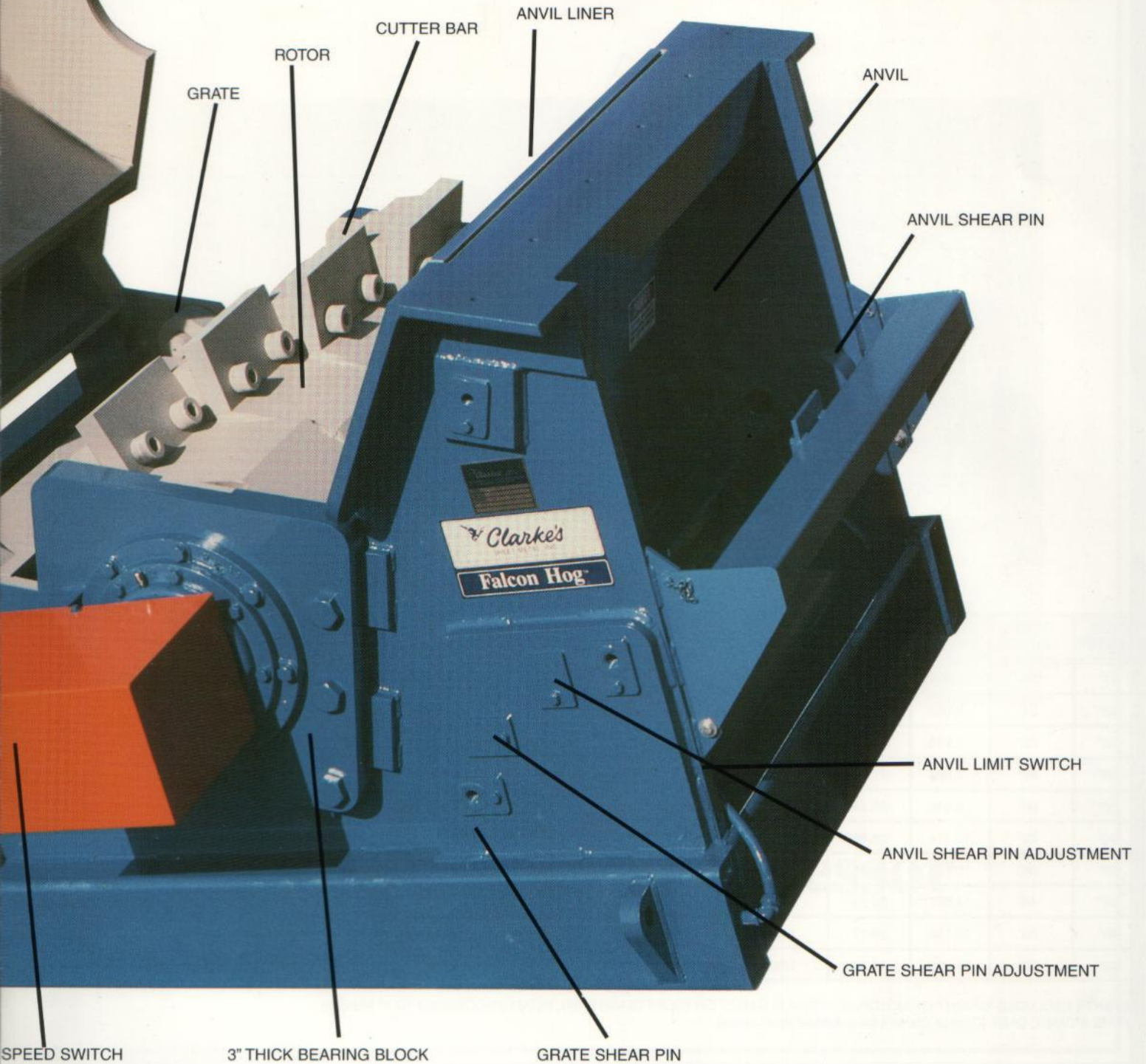
MOTOR BASE

SUB-STRUCTURE

CASE LIMIT SWITCH

ZERO

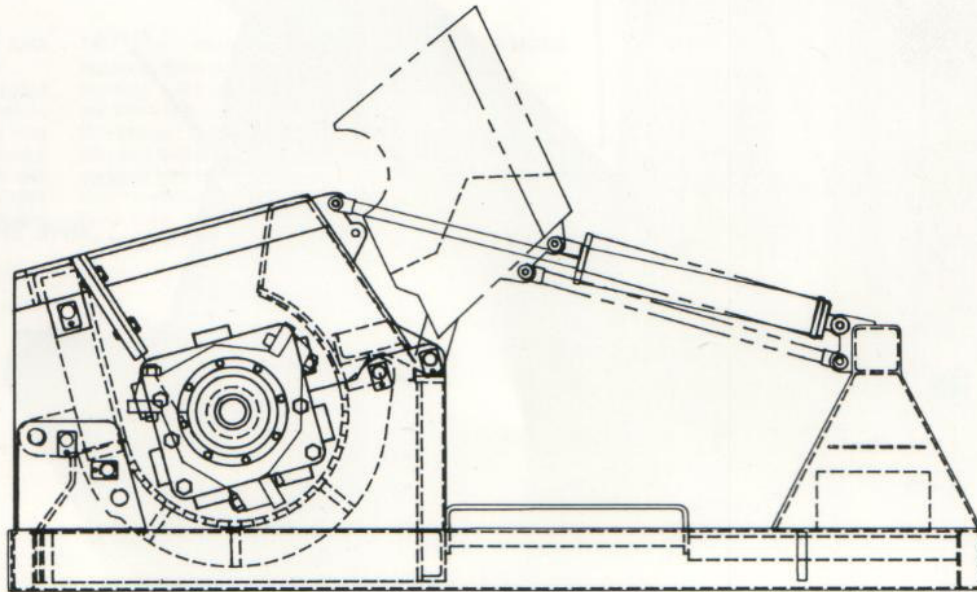
PORTABLE UNIT - OPERATION MODE



## HANDLE HEAVY CHUNKS AND LARGE VOLUMES WITH LOWER POWER

The Falcon Hog waste wood processor has only one moving part - a six-inch-thick steel shaft and rotor assembly with offset cutter bars. This rotor is stout. Its powerful flywheel action easily processes large, long, solid wood and

stringy bark hog fuel while reducing power consumption. The machine's heavy duty case helps also. It is angle-split allowing for longer pieces to feed and a full 180° processing surface maximizes volume.



ROTOR DIAMETER	ROTOR LENGTH	ROTOR WEIGHT	MACHINE WEIGHT*	TPH **	HP ***	RPM	SHAFT	BEARING DIAMETER
24"	24"	1,850	8,000	5	75-150	1200	3.15/16"	3.15/16"
36"	24"	3,953	15,078	15	150-200	900	6"ø	5.15/16"
36"	36"	5,818	18,431	30	200-250	900	6"ø	5.15/16"
36"	48"	7,683	21,754	40	250-300	900	6"ø	5.15/16"
36"	60"	9,548	25,146	50	300-400	900	6"ø	5.15/16"
36"	72"	11,414	28,440	60	300-400	900	6"ø	5.15/16"
48"	36"	10,895	26,902	60	300-400	600	6"ø	5.15/16"
48"	48"	14,527	32,537	80	350-450	600	6"ø	5.15/16"
48"	60"	18,159	38,171	100	400-500	600	6"ø	5.15/16"
48"	72"	21,790	42,804	120	500-600	600	6"ø	5.15/16"

\* WEIGHTS EXCLUDES WEIGHT OF MOTOR(S). \*\*TPH IS BASED ON 23LB/FT3 MATERIAL BEING PROCESSED TO 4" MINUS.

\*\*\* HP IS A GUIDE ONLY (Consult Clarke's for individual applications)

 **Clarke's<sup>®</sup> Sheet Metal, Inc.**

660 Conger Street • P.O. Box 2428  
Eugene, Oregon USA 97402-0139  
541-343-3395 • FAX 541-345-1447

LOCAL DISTRIBUTOR